

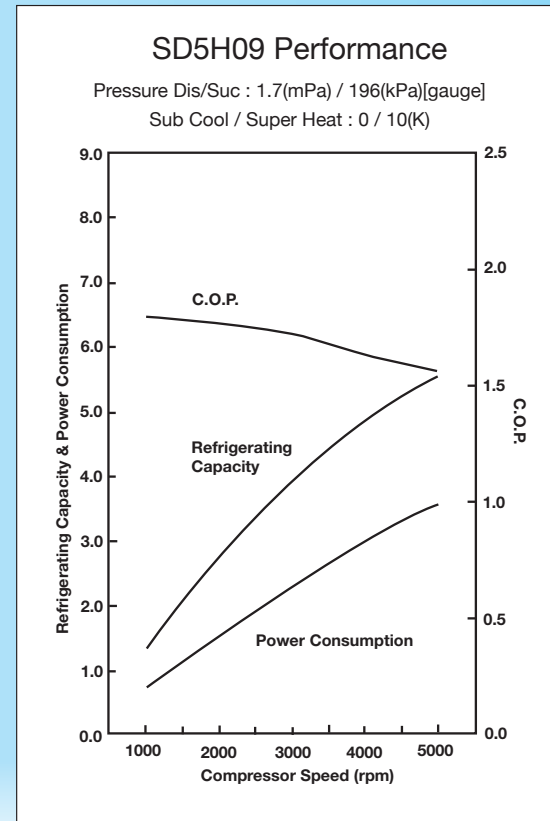
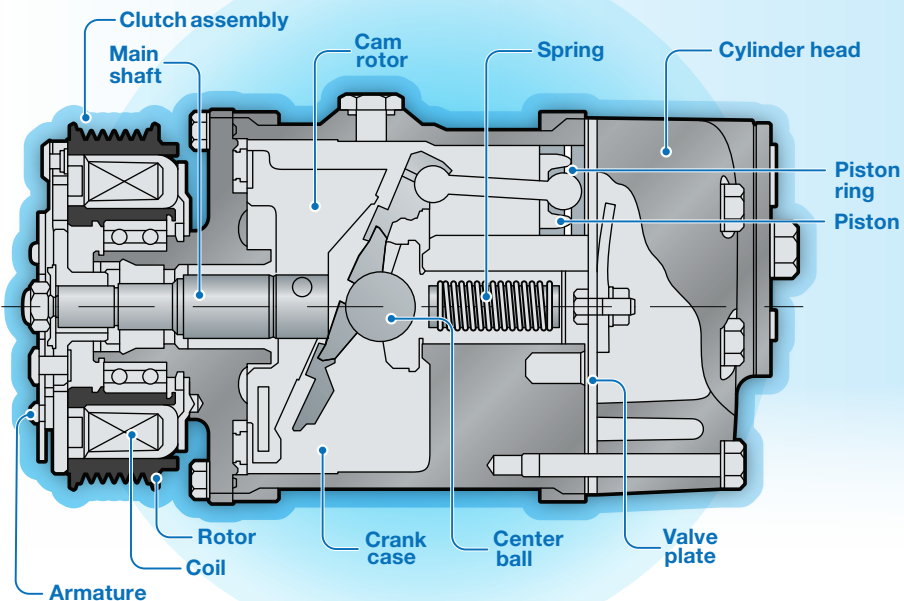


# SANDEN

## Sanden SD5H09 Compressor



- Standard 5 piston wobble plate fixed displacement design compressor with magnetic clutch
- 4kW cooling capability with 90cc displacement
- Speed range 700 - 6500 rpm
- Suitable for R134a refrigerant with Sanden SP-10 oil
- Ear mount design for easy fitting to bracket
- Available in 12 and 24 volt
- Numerous clutch and cylinder head options
- SD5 Compressors have a straight cut gear allowing them to run CW or CCW

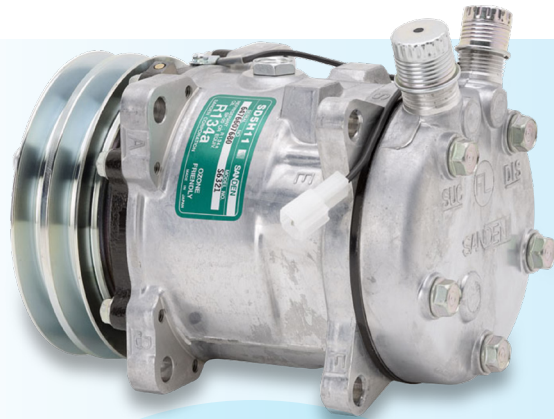


Pulley Dia.	Pulley Type	No. of Grooves	Cylinder Head Options
119	PV	6 or 8	BC/E/SW
120	PV	5	FL/K
125	PV	4	K
125	A	2	C/E/FL/K/M/SW
130	B	1	FL

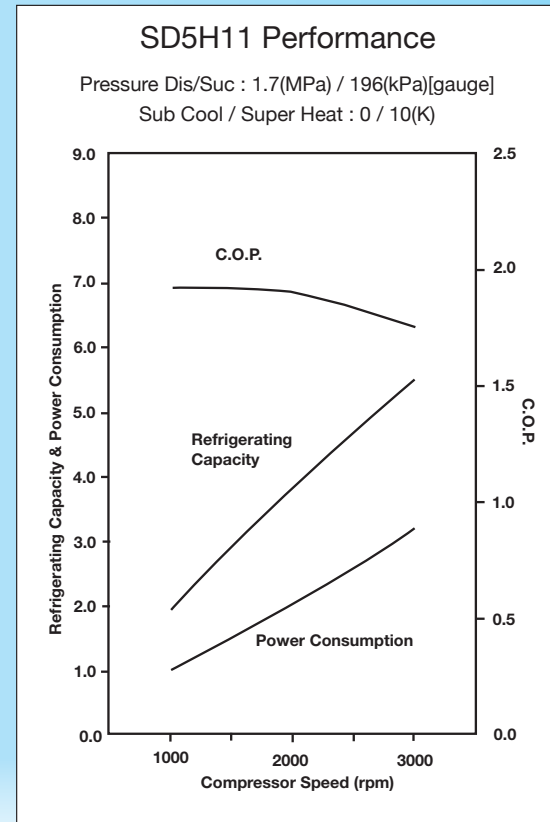
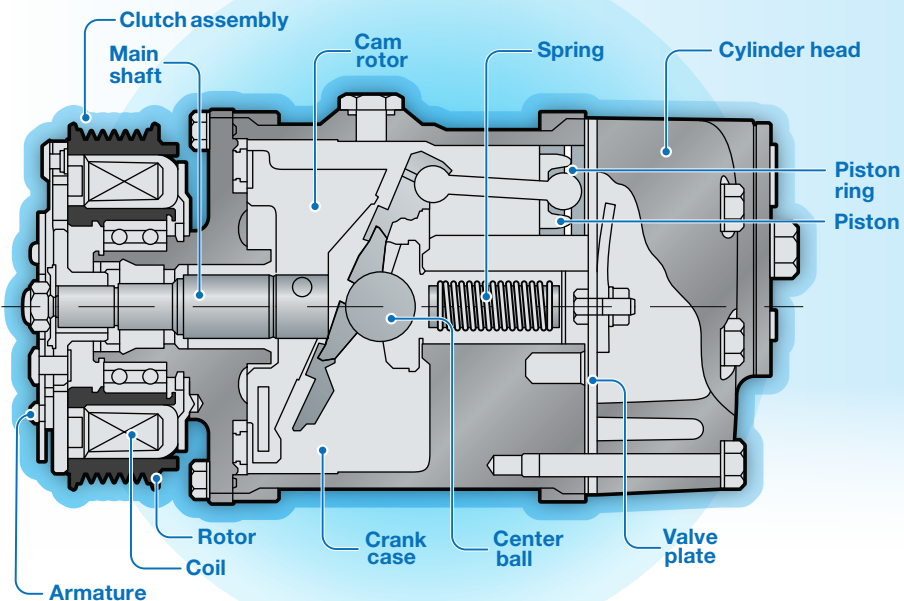


# SANDEN

## Sanden SD5H11 Compressor



- Standard 5 piston wobble plate fixed displacement design compressor with magnetic clutch
- 5.5kW cooling capability with 110cc displacement
- Speed range 700 - 6000 rpm
- Suitable for R134a refrigerant with Sanden SP-10 oil
- Ear mount design for easy fitting to bracket
- Available in 12 and 24 volt
- Numerous clutch and cylinder head options
- SD5 Compressors have a straight cut gear allowing them to run CW or CCW



Pulley Dia.	Pulley Type	No. of Grooves	Cylinder Head Options
119	PV	4, 6 or 8	FL/K
120	PV	4, 5 or 8	KB/SW
125	A	2	BC/C/ FL/K

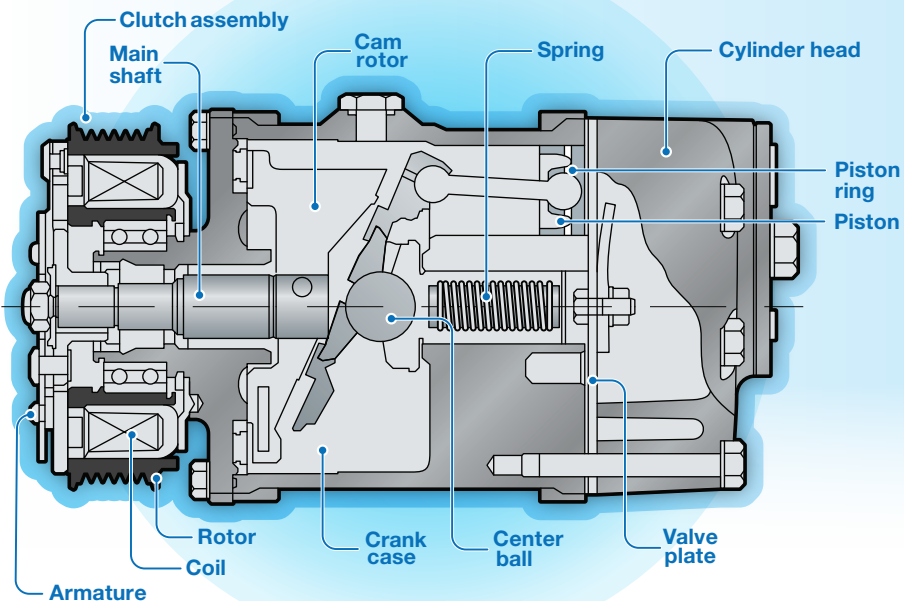


# SANDEN

## Sanden SD5H14 Compressor



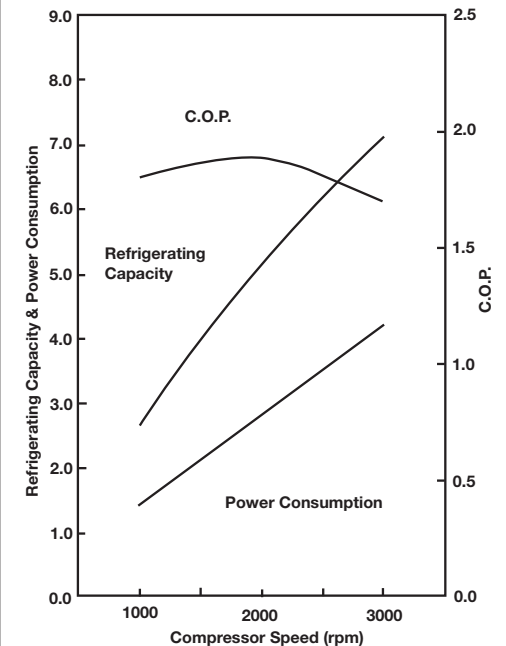
- Standard 5 piston wobble plate design compressor
- 7kW cooling capability with 140cc displacement
- Speed range 700 - 6000 rpm
- Suitable for R134a refrigerant with Sanden SP-10 oil
- Ear mount design for easy fitting to bracket
- Available in 12 and 24 volt
- New cylinder block design for lower cost
- Numerous clutch and cylinder head options
- SD5 Compressors have a straight cut gear allowing them to run CW or CCW



Pulley Dia.	Pulley Type	No. of Grooves	Cylinder Head Options
119	PV	6, 7 or 8	FL/K/M/SW
122	A	1	FL
125	A	1	UF
125	PV	10	FL/K/M/SW
132	A	2	C/FL/K/M/SW
146	A	1	ZC
152	A	2	BC/FL
159	C	1	C/FL

### SD5H14 Performance

Pressure Dis/Suc : 1.7(MPa) / 196(kPa)[gauge]  
 Sub Cool / Super Heat : 0 / 10(K)



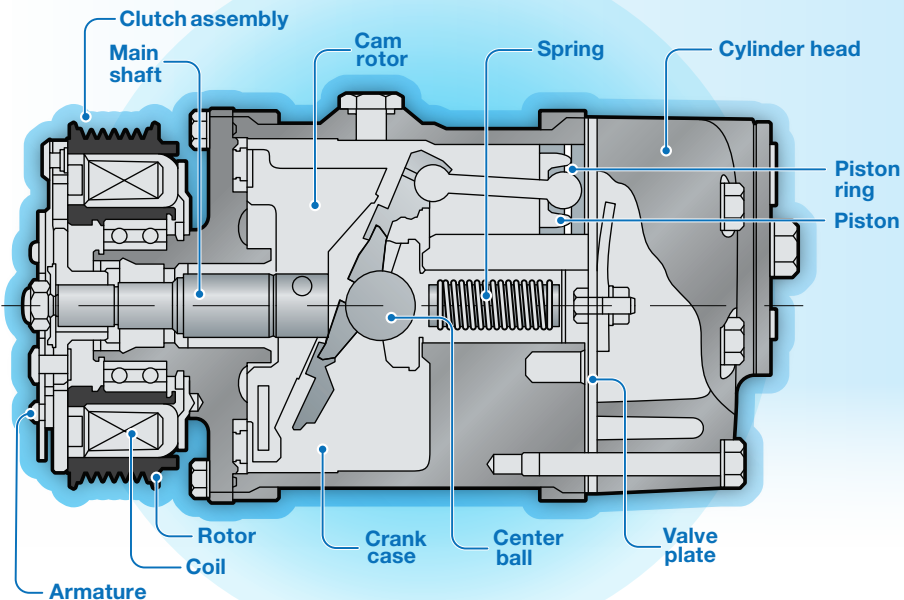


# SANDEN

## Sanden SD7H13 Compressor



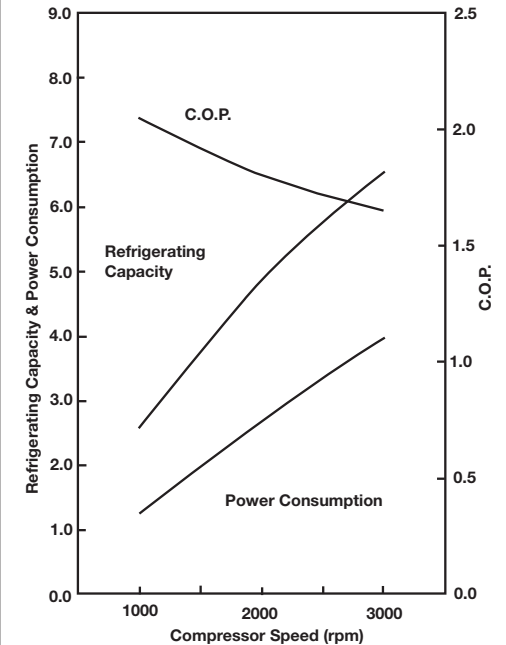
- Standard 7 piston wobble plate design compressor with magnetic clutch
- 6.5kW cooling capability with 130cc displacement
- Speed range 700 - 6000 rpm
- Suitable for R134a refrigerant with Sanden SP-10 oil
- Ear mount and direct mount options
- Available in 12 and 24 volt
- Numerous clutch and cylinder head options



Pulley Dia.	Pulley Type	No. of Grooves	Cylinder Head Options
112	PV	6	SV
119	PV	5, 6 & 8	JE/KG/MD/SG
120	PV	8	KG/WP
125	A	1	KG/VM/WP
125	A	2	JE/KG/UK
138	A	1	KG
146	B	1	WL/WM
152	PV	4	MD

### SD7H13 Performance

Pressure Dis/Suc : 1.7(MPa) / 196(kPa)[gauge]  
 Sub Cool / Super Heat : 0 / 10(K)



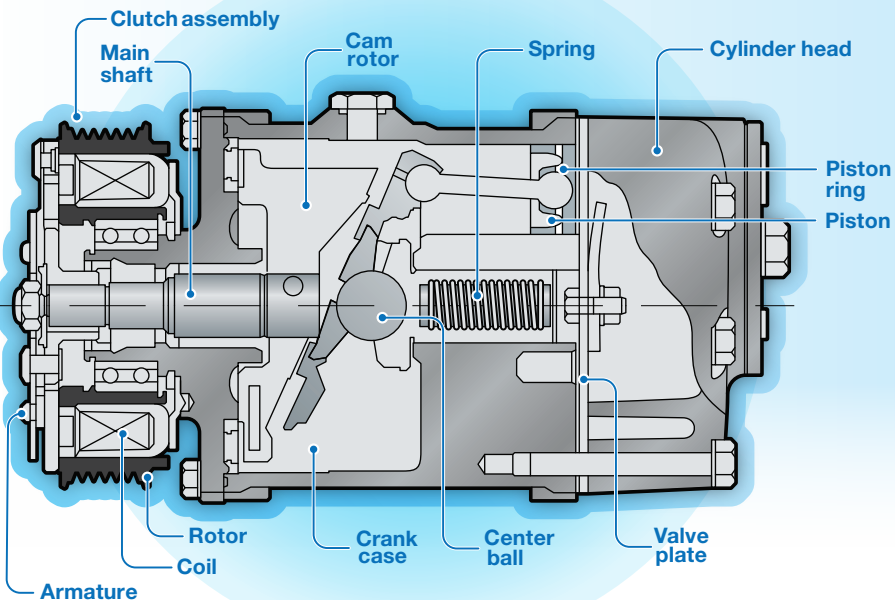


# SANDEN

## Sanden SD7H15 Compressor

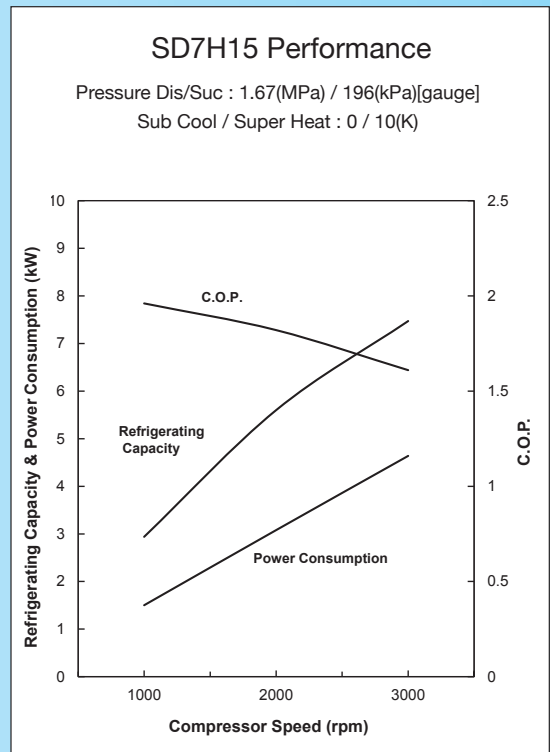


- Standard 7 piston wobble plate design compressor with magnetic clutch
- 8kW cooling capability with 155cc displacement
- Speed range 700 - 6000 rpm
- Suitable for R134a refrigerant with Sanden SP-10 oil
- Ear mount and direct mount options
- Available in 12 and 24 volt
- Numerous clutch and cylinder head options



Pulley Dia.	Pulley Type	No. of Grooves	Cylinder Head Options
106-153	A	1 & 2	Numerous
110-176	PV	2	Numerous

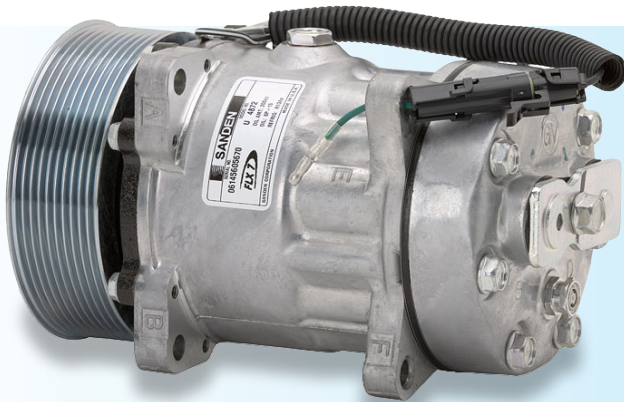
B, C and M pulley also available



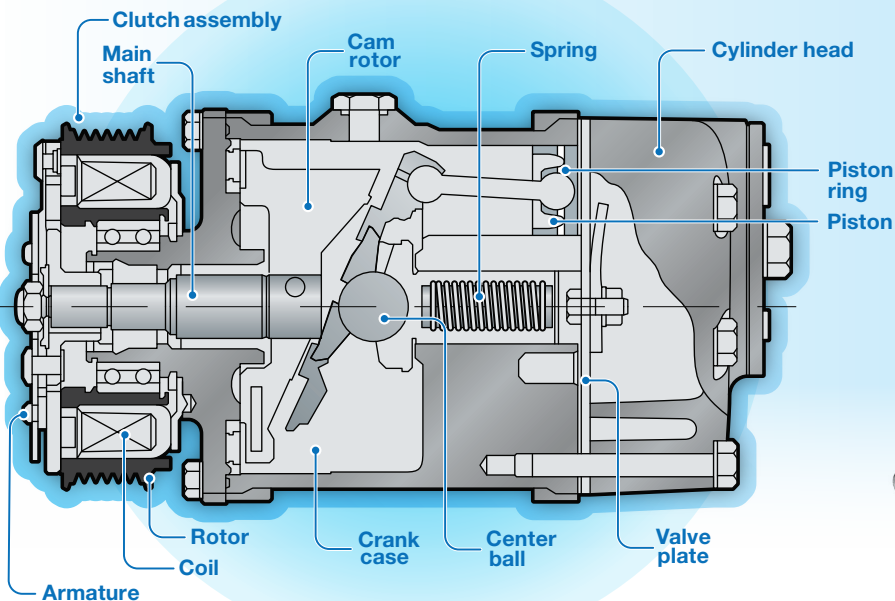


# SANDEN

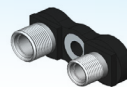
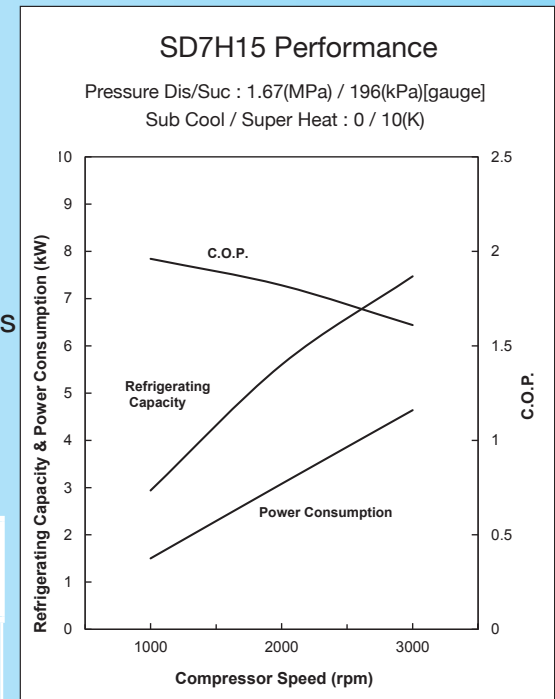
## Sanden SD7H15 Compressor - FLEX



- Standard 7 piston wobble plate design compressor with magnetic clutch
- 8kW cooling capability with 155cc displacement
- Speed range 700 - 6000 rpm
- Suitable for R134a refrigerant with Sanden SP-10 oil
- Ear mount and direct mount options
- Available in 12 and 24 volt
- Numerous clutch and cylinder head options
- Flex mount cylinder head



Pulley Dia.	Pulley Type	No. of Grooves	Cylinder Head Options
125-132	A	2	FLEX (HR, HT, VR, VT)
119	PV	8	FLEX (HR, HT, VR, VT)



Horizontal Tube-O  
3/4 x 7/8



Vertical Tube-O  
3/4 x 7/8



Vertical Roto-Lock  
1 x 14 UNS



Horizontal Roto-Lock  
1 x 14 UNS

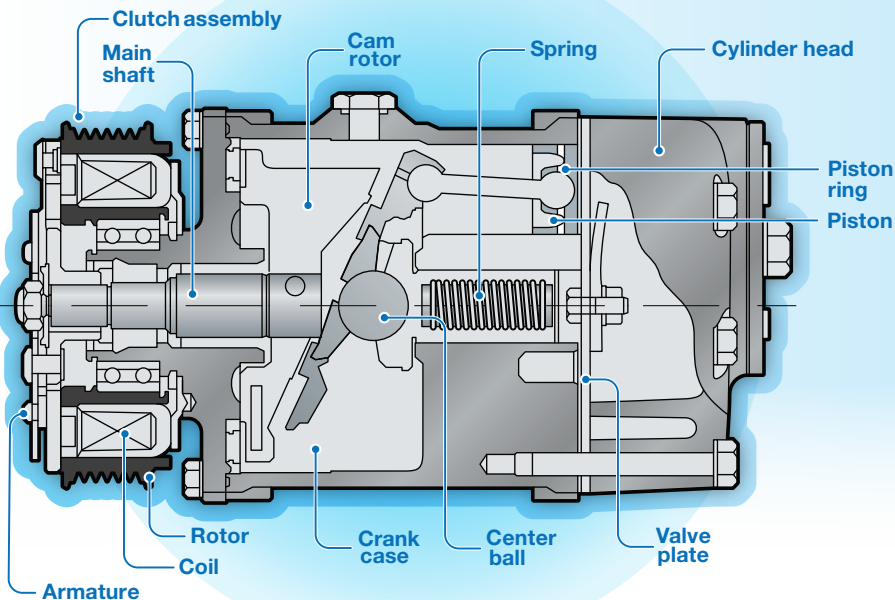


# SANDEN

## Sanden SD7H15 Enhanced Compressor



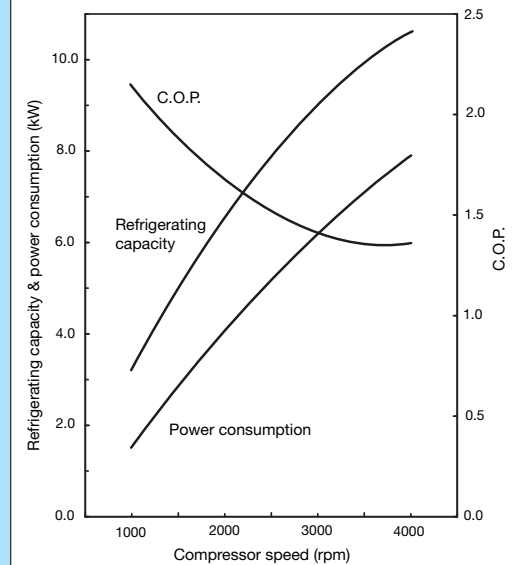
- Standard 7 piston wobble plate design compressor with magnetic clutch
- Performance similar to 210cc compressor from 155cc displacement (10kW+)
- Speed range 700 - 6000 rpm
- Suitable for R134a refrigerant with Sanden SP-15 oil
- Ear mount and direct mount options
- Available in 12 and 24 volt
- Numerous clutch and cylinder head options



Pulley Dia.	Pulley Type	No. of Grooves	Cylinder Head Options
125-152	A	1 & 2	JD/GK/GV/ KF/MD
119-152	PV	4, 6, 8, 10, 12	CB/GH/GK/ GV/GW/JD/ KF/KG/ MD/WP

### SD7H15 Performance

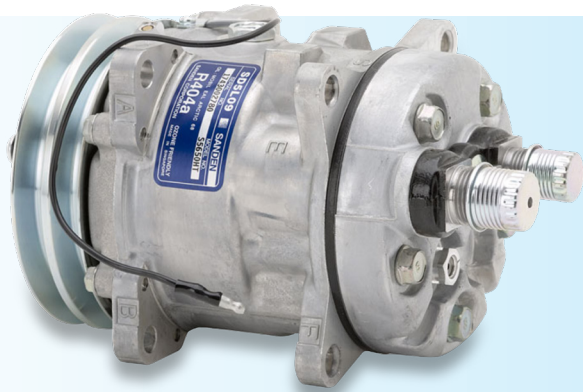
Pressure Dis/Suc : 1.67(MPa) / 196(kPa)[gauge]  
Sub Cool / Super Heat : 0 / 10(K)



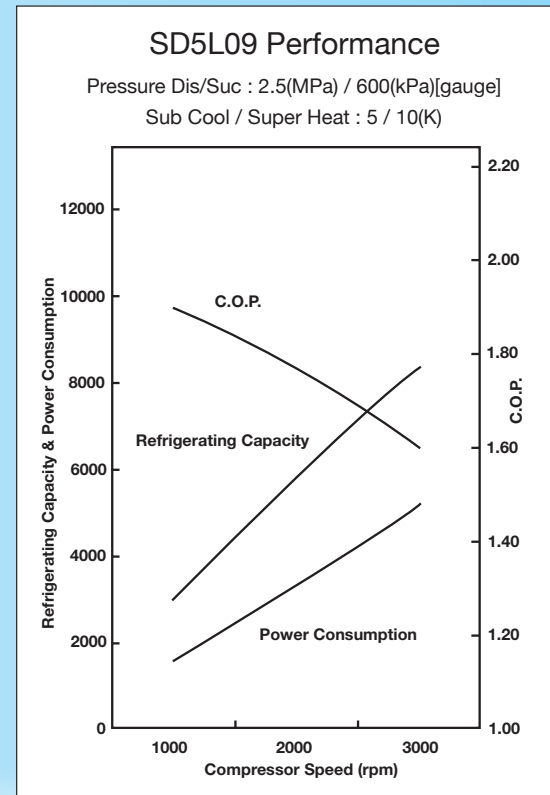
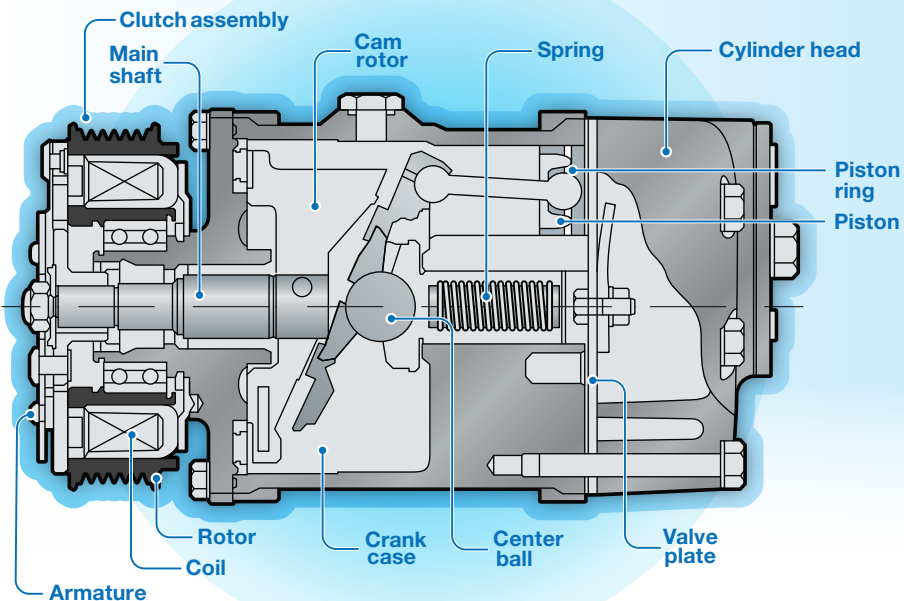


# SANDEN

## Sanden SD5L09 Compressor



- Standard 5 piston wobble plate design compressor with magnetic clutch
- 8kW cooling capability with 90cc displacement
- Speed range 700 - 3000 rpm
- Suitable for R404a refrigerant, for use with POE VG 68 oil, supplied without oil charge
- Ear mount design for easy fitting to bracket
- Available in 12 and 24 volt
- Numerous clutch and cylinder head options
- Enhanced casting for robustness
- Upgraded seals
- SD5 Compressors have a straight cut gear allowing them to run CW or CCW



Pulley Dia.	Pulley Type	No. of Grooves	Cylinder Head Options
119	PV	8	SW-HR, HT, VR, VT
125	A	2	SW-HR, HT, VR, VT



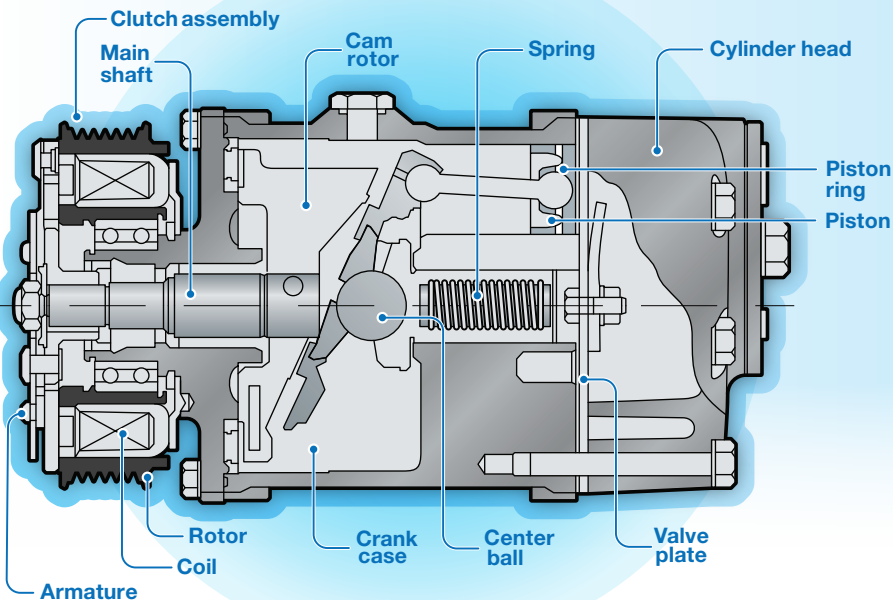


# SANDEN

## Sanden SD5L14 Compressor



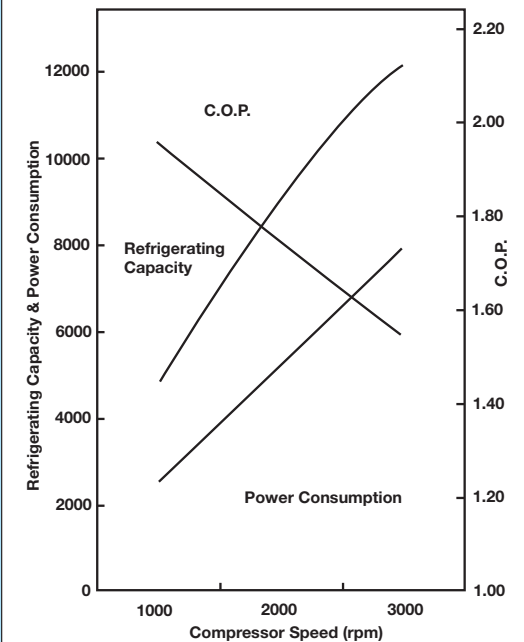
- Standard 5 piston wobble plate design compressor with magnetic clutch
- 12kW cooling capability with 140cc displacement
- Speed range 700 - 3000 rpm
- Suitable for R404a refrigerant, for use with POE VG 68 oil, supplied without oil charge
- Ear mount design for easy fitting to bracket
- Available in 12 and 24 volt
- Numerous clutch and head adaptor options
- Enhanced casting for robustness
- Upgraded seals
- SD5 Compressors have a straight cut gear allowing them to run CW or CCW



Pulley Dia.	Pulley Type	No. of Grooves	Cylinder Head Options
119	PV	8	K/SW-HR, HT, VR, VT
125	A	2	FL/SW-HR, HT, VR, VT

### SD5L14 Performance

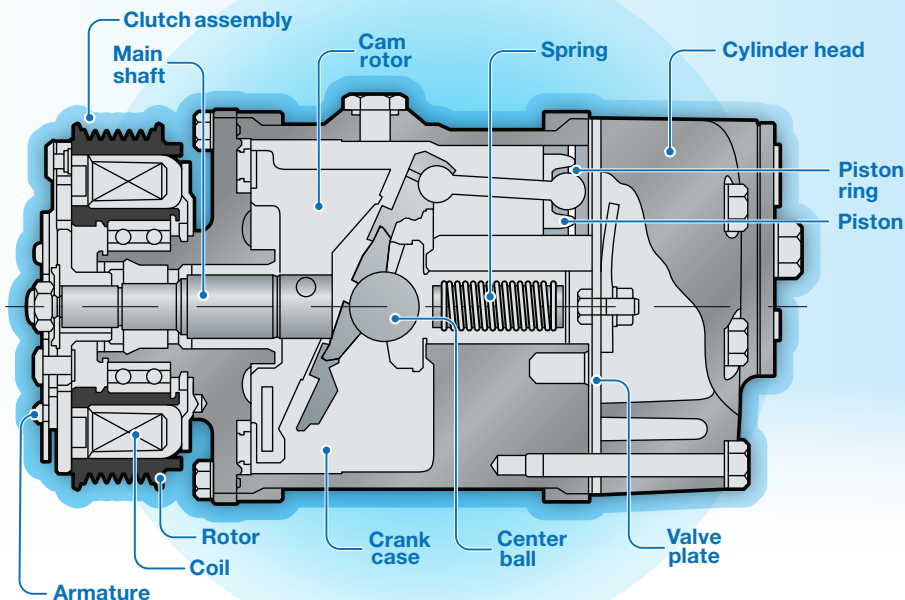
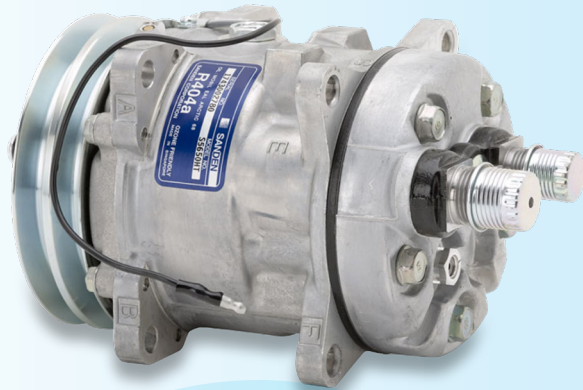
Pressure Dis/Suc : 2.5(MPa) / 600(kPa)[absolute]  
 Sub Cool / Super Heat : 5 / 10(K)



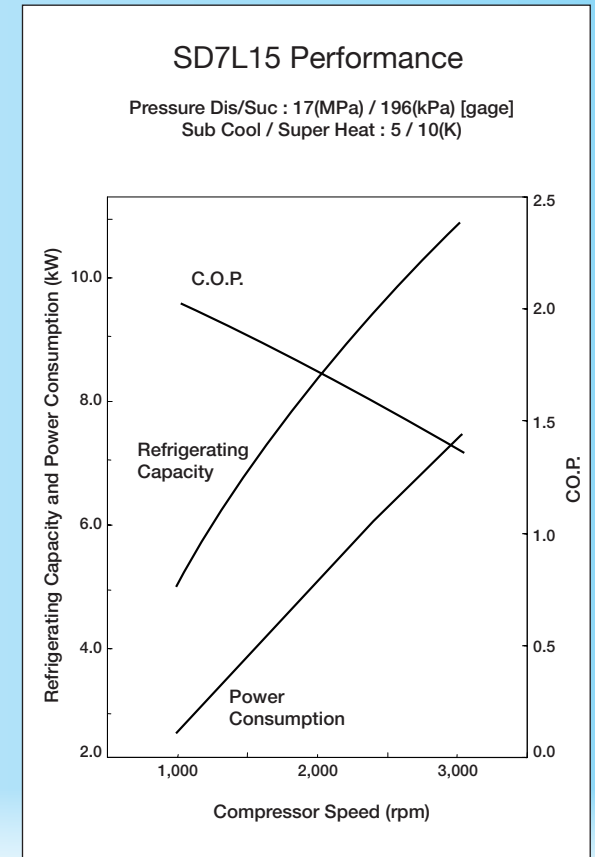


# SANDEN

## Sanden SD7L15 Compressor



- Standard 7 piston wobble plate design compressor with magnetic clutch
- 10kW cooling capability with 154cc
- Speed range 700 - 3000 rpm
- Suitable for R404a refrigerant, for use with POE VG 68 oil, supplied without oil charge
- Ear mount design for easy fitting to bracket
- Available in 12 and 24 volt
- Numerous clutch and head adaptor options
- Enhanced casting for robustness
- Upgraded seals



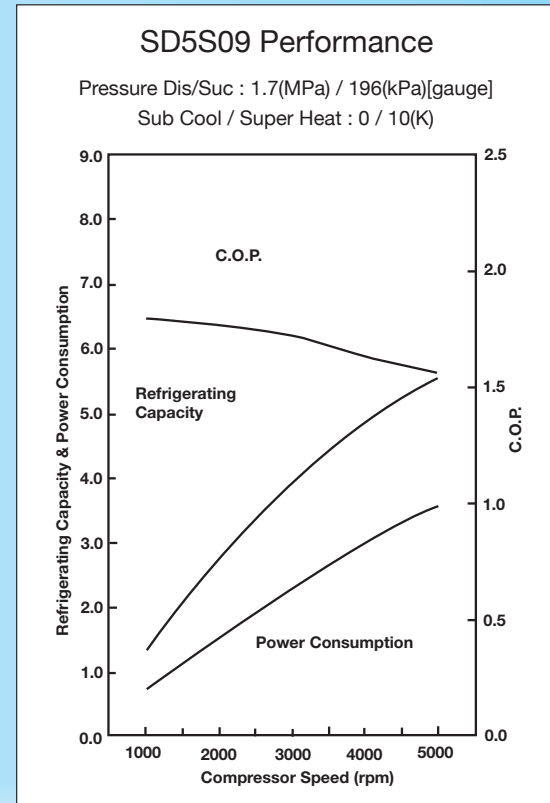
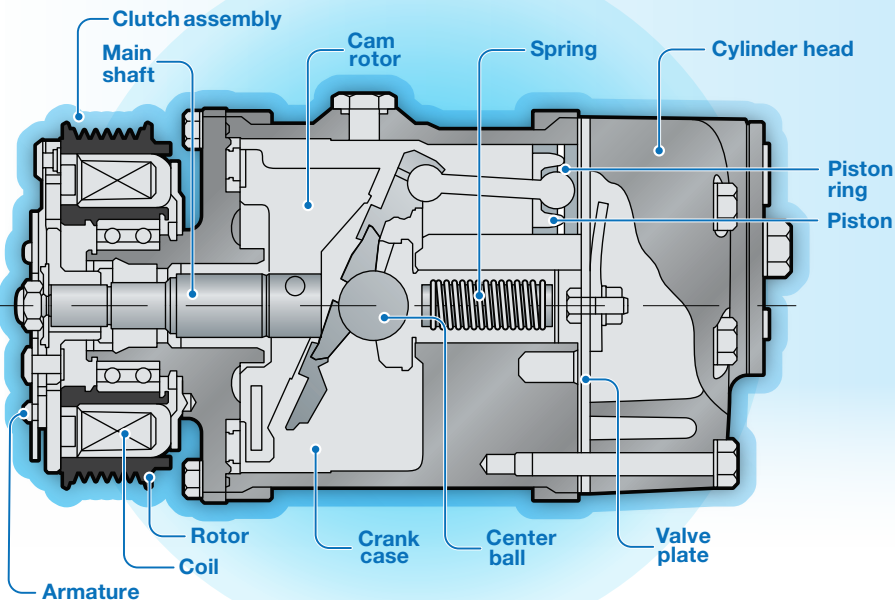


# SANDEN

## Sanden SD5S09 Compressor



- Standard 5 piston wobble plate design compressor with magnetic clutch
- 4kW cooling capability with 90cc displacement
- Speed range 700 - 6500 rpm
- Suitable for R134a refrigerant with Sanden SP-10 oil
- Ear mount design for easy fitting to bracket
- Available in 12 and 24 volt
- Numerous clutch and cylinder head options
- New cylinder block design for lower cost
- SD5 Compressors have a straight cut gear allowing them to run CW or CCW



Pulley Dia.	Pulley Type	No. of Grooves	Cylinder Head Options
119	PV	8	FL
120	PV	5	FL/K
125	A	2	C/FL/K/M

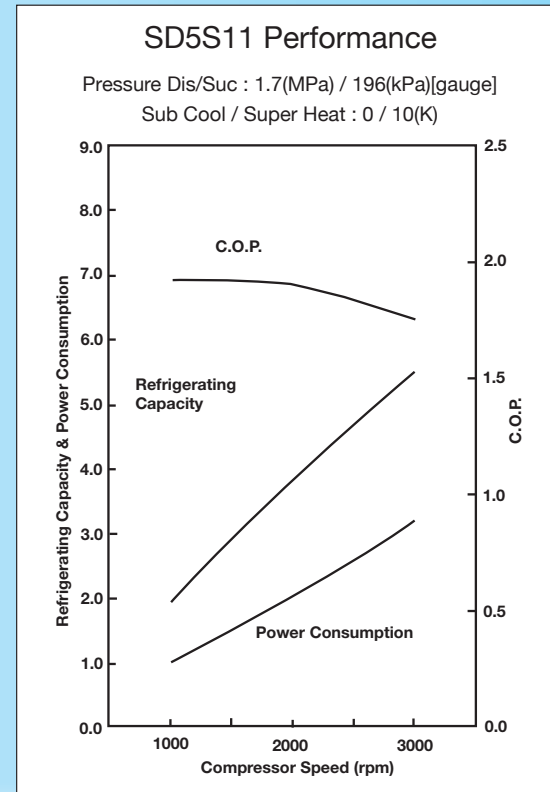
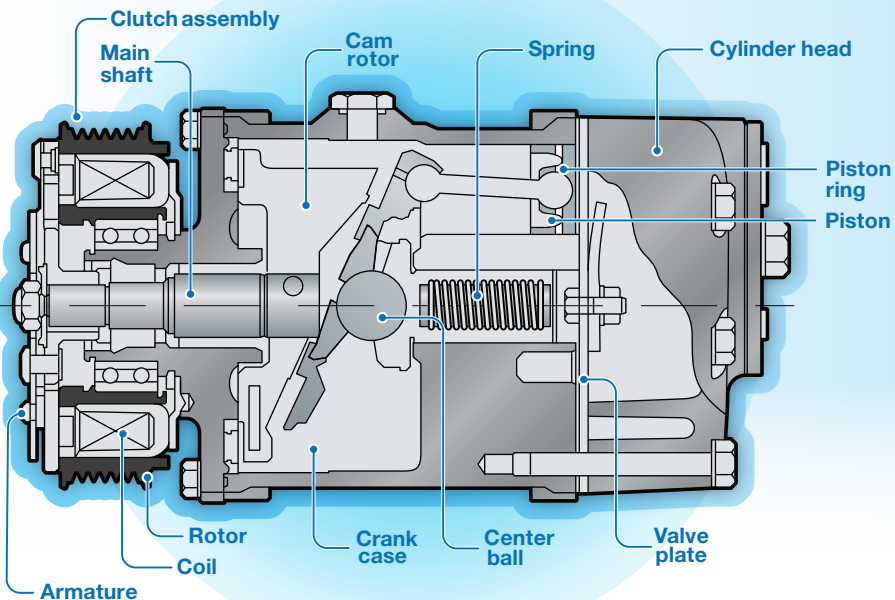


# SANDEN

## Sanden SD5S11 Compressor



- Standard 5 piston wobble plate design compressor with magnetic clutch
- 5.5kW cooling capability with 110cc displacement
- Speed range 700 - 6000 rpm
- Suitable for R134a refrigerant with Sanden SP-10 oil
- Ear mount design for easy fitting to bracket
- Available in 12 and 24 volt
- New cylinder block design for lower cost
- SD5 Compressors have a straight cut gear allowing them to run CW or CCW

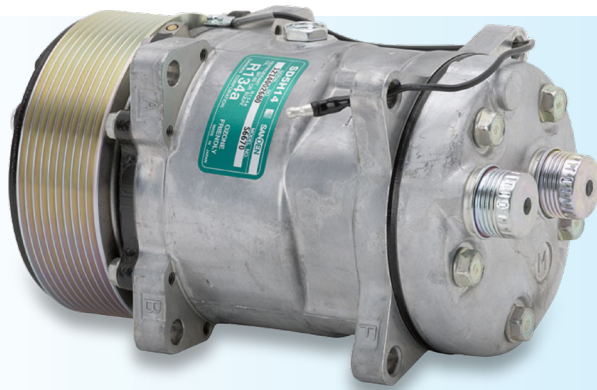


Pulley Dia.	Pulley Type	No. of Grooves	Cylinder Head Options
119	PV	6	FL/K
125	A	2	C/FL/K

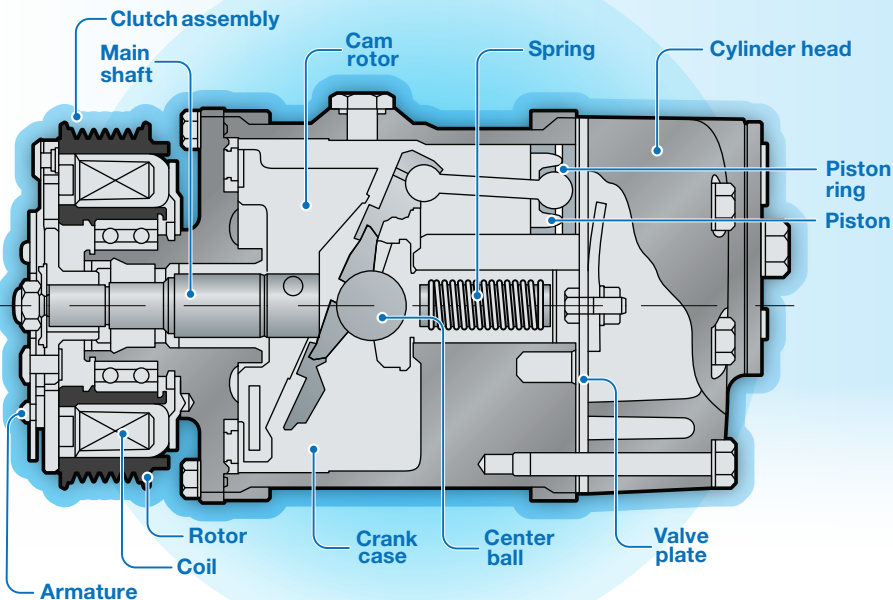


# SANDEN

## Sanden SD5S14 Compressor



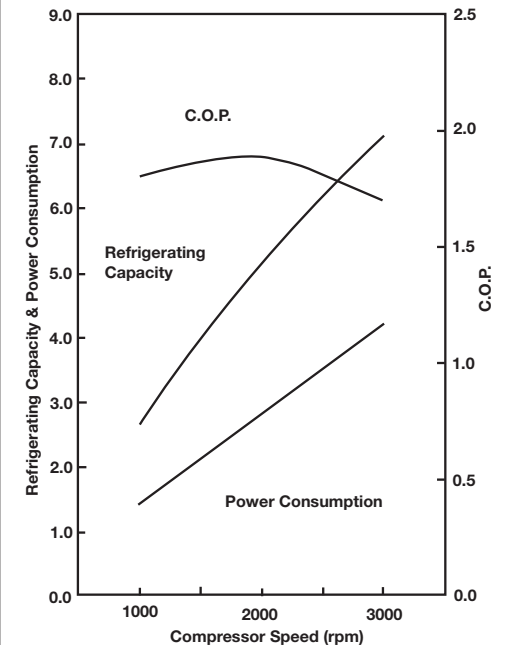
- Standard 5 piston wobble plate design compressor
- 7kW cooling capability with 140cc displacement
- Speed range 700 - 6000 rpm
- Suitable for R134a refrigerant with Sanden SP-10 oil
- Ear mount design for easy fitting to bracket
- Available in 12 and 24 volt
- New cylinder block design for lower cost
- Numerous clutch and cylinder head options
- SD5 Compressors have a straight cut gear allowing them to run CW or CCW



Pulley Dia.	Pulley Type	No. of Grooves	Cylinder Head Options
119	PV	7 or 8	FL/K/M
132	A	2	B/C/FG/FL/K/M/SW
152	A	2	FL

### SD5S14 Performance

Pressure Dis/Suc : 1.7(MPa) / 196(kPa)[gauge]  
 Sub Cool / Super Heat : 0 / 10(K)

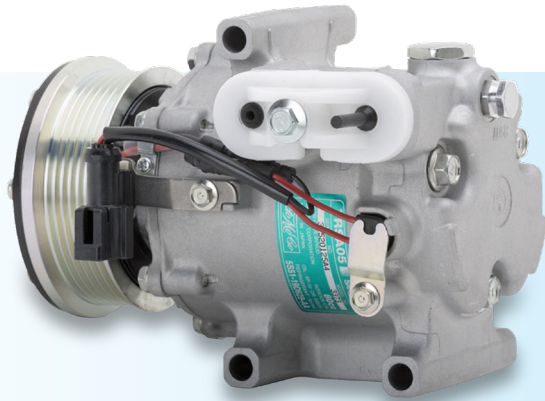




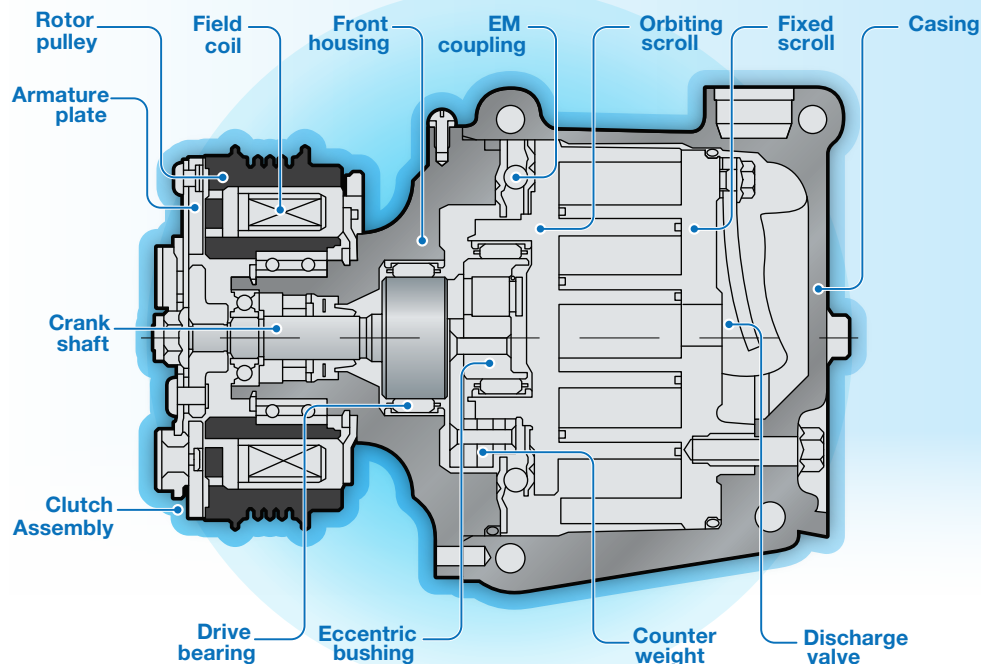
# SANDEN

## Sanden

### Turbo Rotary Scroll Compressor



- Rotary scroll fixed displacement compressor with clutch
- Compressor capacity from 50cc through 120cc
- Up to 10kW maximum continuous RPM 12,000
- Suitable for R134a refrigerant and Sanden SP-10 oil
- Option with oil separator
- Direct mount
- Available in 12 volt
- Original equipment parts



#### TRSA12 Performance

Pressure Dis/Suc : 1.67(MPa) / 196(kPa)[gauge]  
Sub Cool / Super Heat : 0 / 10(K)

